

HEICO lighting clipNslide™

The most flexible contactless lighting solution for OEM projects



www.FutureLightingSolutions.com

HEICO lighting clipNslide™

Applications:

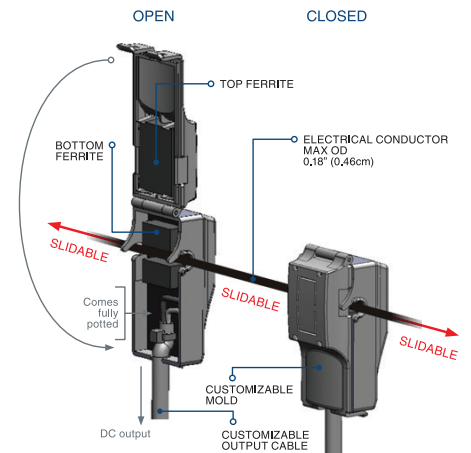
- Pendant
- Track lighting
- Undercabinet
- LED display light
- Task lighting
- Recessed and retrofit
- Flushmount
- Decorative
- Wall sconce
- Landscaping
- and many other applications

Features:

- 350mA white clipNslide™ standard (< 13V)*
- Regulated current source
- High efficiency (> 90%)
- Slidable
- Easy-to-install and more
- Class 2 compliant
- Water resistant IP67
- Corrosion-proof
- Uniform brightness
- Contactless
- Unique

*up to 700mA white clipNslide™ optional.

Present design of clipNslide™



Technical Information

Input

Compatible only with HEICO lighting™
LMPS-350
LMPS-750
and compatible animation accessories.

Output

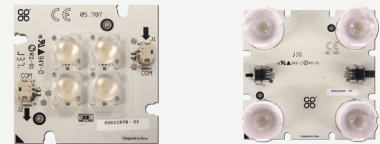
Load (watts)	Volts	Current
Max 4.5 W per clipNslide™	Up to 13 V	350mA (up to 700mA optional)
Min/Max Ambient Temp. (f/c)		Env. Rating
-40°F to +122°F (-40°C to +50°C)		Water resistant (IP67)

LED Configuration

Vf led=3.2V*	Vf total	If = 350mA
1 x LEDs	3.2 V	1.12 watts
2 x LEDs	6.4 V	2.24 watts
3 x LEDs	9.6 V	3.36 watts
4 x LEDs	12.8 V	4.48 watts

*Function of LED specifications

simpleLED Solutions 4 LEDs, Square



3 LEDs, Linear



3 LEDs, Circular



NORTH AMERICA
1-888-LUXEON2
Americas@FutureLightingSolutions.com

ASIA
+800-Lumileds
Asia@FutureLightingSolutions.com

EUROPE
00-800-44FUTURE
Europe@FutureLightingSolutions.com

JAPAN
+81-0120-667-013
Japan@FutureLightingSolutions.com

FUTURE
Lighting Solutions
Making LED Lighting Solutions Simple™
www.FutureLightingSolutions.com